

*Sarca Bow Sprits or fair leads are unique to Anchorright's products, they come in a variety of sizes and suit all anchor designs, our bow sprits not only properly secure or house your anchor but allow for free falling when launching and correct alignment upon retrieving.*

# HEAVY DUTY BOWSPRITS

## FEATURES:

*Self launching*

*Manufactured from 316 stainless*

*Designed for max strength and durability*

*Self rights the anchor on retrieval*

*Rollers easy removed and replaced*

*Heavy duty threaded thumb screw for anchor removal  
(note: this only applies to Bowsprit range up to W3-4)*

*Duel roller prevents bruising & chaffing of the anchor rope*

*Its design suits or can be adapted to most boats*

*Wide ranges of sizes available*

*3 years warranty (excluding rollers)*



*Sarca Bowsprits come in wide variety of sizes suitable for small tinnies up to super yachts.*

## SIZES:

*A1-2 Bowsprit*

*W3-4 A Bowsprit (winch application)*

*W3-4 B Bowsprit (long mounting base)*

*W3-4 C Bowsprit (extra long mounting base)*

*W5-A Bowsprit*

*W5-B Bowsprit (long mounting base)*

*W6-A Bowsprit*

*W6-B Bowsprit (long mounting base)*



The SARCA BOWSPRIT in Position.

## ALUMINIUM BOWSPRITS :

*The aluminium range are extremely durable and offer the same benefits as the 316 S/S unit, on glass boats they are easily bolted for sturdy application, with aluminium hulls you can bolt or weld straight to the front of most boat designs to properly house or secure your anchor.*

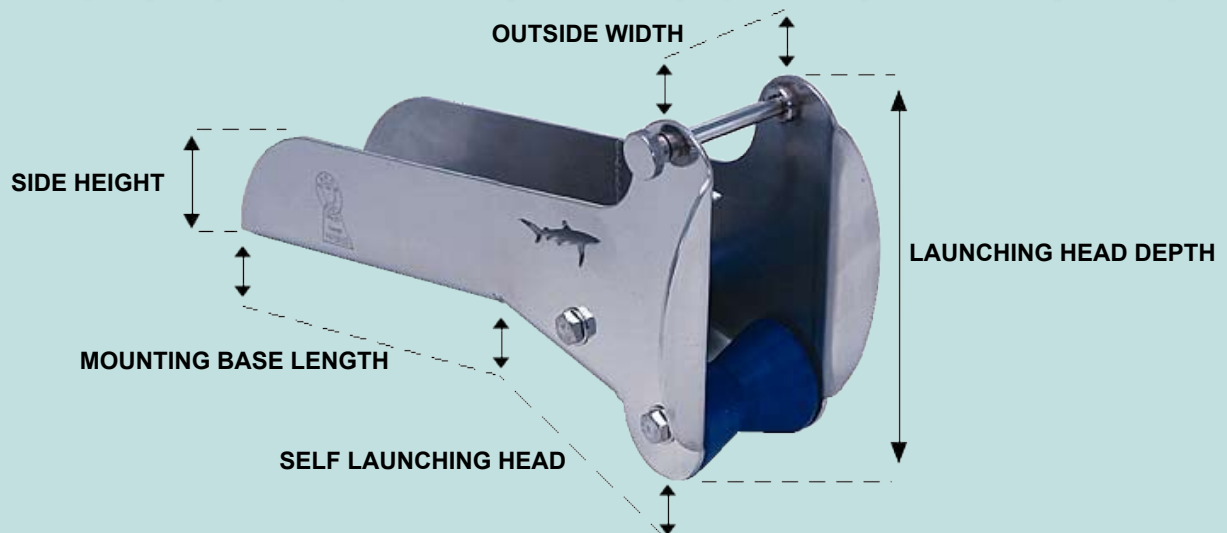
Distributed by



[www.chainsropesandanchors.co.nz](http://www.chainsropesandanchors.co.nz)

[info@chainsropesandanchors.co.nz](mailto:info@chainsropesandanchors.co.nz)

# SELF LAUNCHING BOWSPRIT SIZING SPECIFICATIONS



BOWSPRIT	MOUNTING BASE LENGTH	SELF LAUNCHING HEAD	SIDE HEIGHT	LAUNCHING HEAD DEPTH	OUTSIDE WIDTH	ANCHOR WEIGHT	SARCA ANCHOR SIZES
<b>A1-2 STAINLESS (2.5MM 316)</b>	210 mm	100 mm	58 mm	160 mm	70 mm	Up to 10 Kg	0.5 to NO: 2
<b>A1-2 ALUMINIUM (4MM)</b>	210 mm	100 mm	58 mm	160 mm	75 mm	Up to 10 Kg	0.5 to NO: 2
<b>W3-4 A STAINLESS (3MM 316) WINCH APPLICATION</b>	255 mm	110 mm	60 mm	165 mm	75 mm	Up to 17 Kg	3 to NO: 4
<b>W3-4 ALUMINIUM (4MM)</b>	225 mm	110 mm	60 mm	165 mm	80 mm	Up to 15 Kg	3 to NO: 4
<b>W3-4B STAINLESS (4MM 316)</b>	400 mm	110 mm	60 mm	165 mm	75 mm	Up to 17 Kg	3 to NO: 4
<b>W3-4C STAINLESS (4MM 316)</b>	590 mm	110 mm	60 mm	165 mm	75 mm	Up to 17 Kg	3 to NO: 4
<b>W5-A STAINLESS (4MM 316)</b>	285 mm	110 mm	70 mm	200 mm	108 mm	Up to 40 Kg	5 to NO: 8
<b>W5-B STAINLESS (4MM 316)</b>	590 mm	110 mm	70 mm	200 mm	108 mm	Up to 40 Kg	5 to NO: 8
<b>W6-A STAINLESS (5MM 316)</b>	335 mm	110 mm	85 mm	245 mm	150 mm	Up to 75 Kg	9 to NO: 13
<b>W6-B STAINLESS (5MM 316)</b>	590 mm	110 mm	85 mm	245 mm	150 mm	Up to 75 Kg	9 to NO: 13

SARCA BOWSPRITS ACCOMMODATE MOST ANCHOR DESIGNS.



\*NB: All Anchorright products are either patented or patent pending for world wide distribution