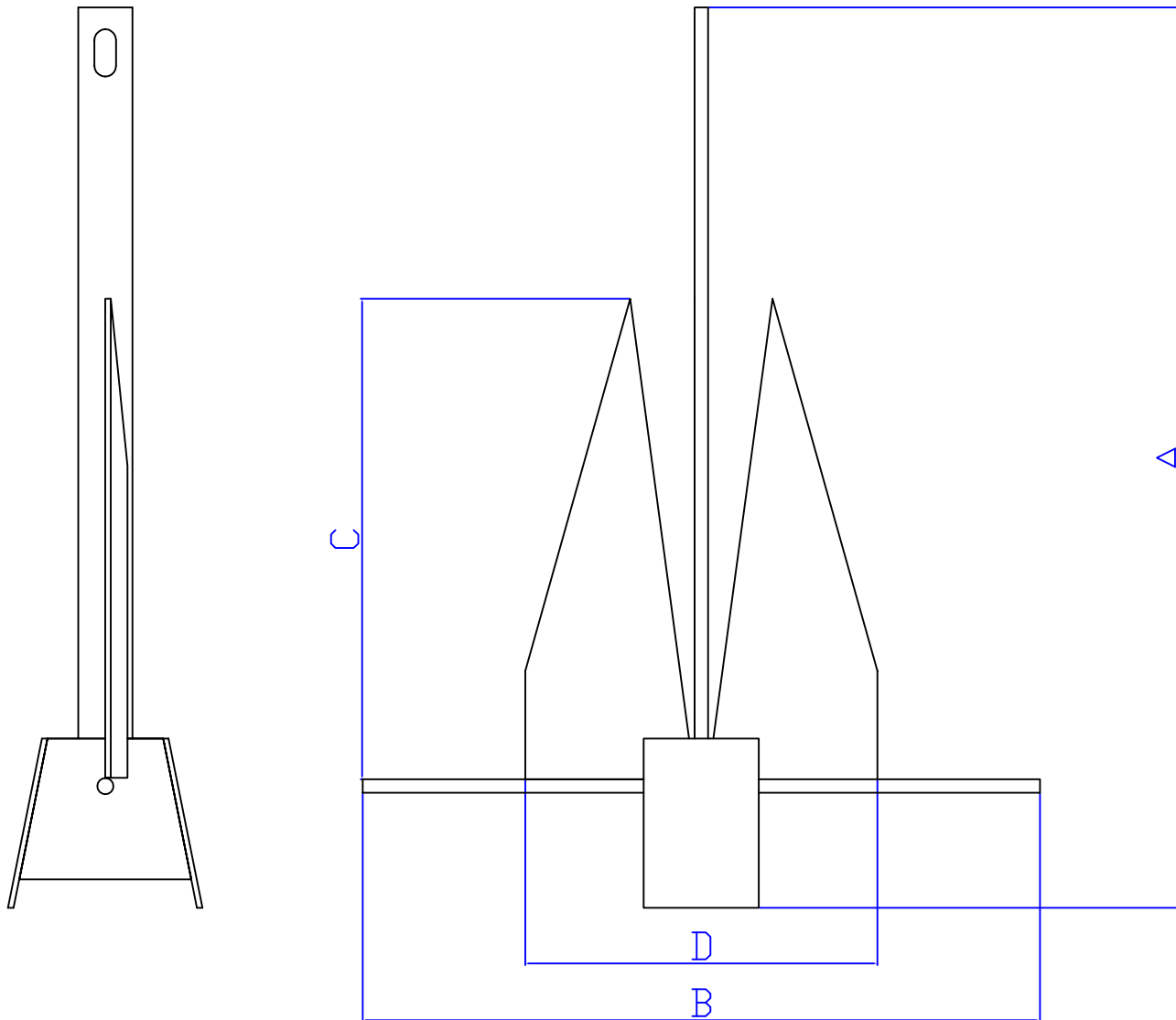


Sand Anchor Dimensions



	A	B	C	D
3s	390	280	225	175
4s	480	380	261	200
6s	530	400	290	230
8s	580	450	320	240
10s	665	500	355	260
13s	690	550	372	285
18s	780	610	416	330
22s	845	680	452	350
30s	915	750	475	380
40s	1000	780	550	460
50s	1065	835	600	540
60s	1100	950	700	580

REVISIONS:				NOTES:	
#	DETAILS	DATE	BY	SCALE	nts
1				PAPER SIZE:	A4
2				DATE ISSUED:	01/07/05
3				CLIENT REF:	CLIENT 1
4				HW CAD REF:	Gen Sand 08ms

Sand Anchor
Dimensions

